

OZONE GENERATOR OZG 30 N, 50 N



FEATURES

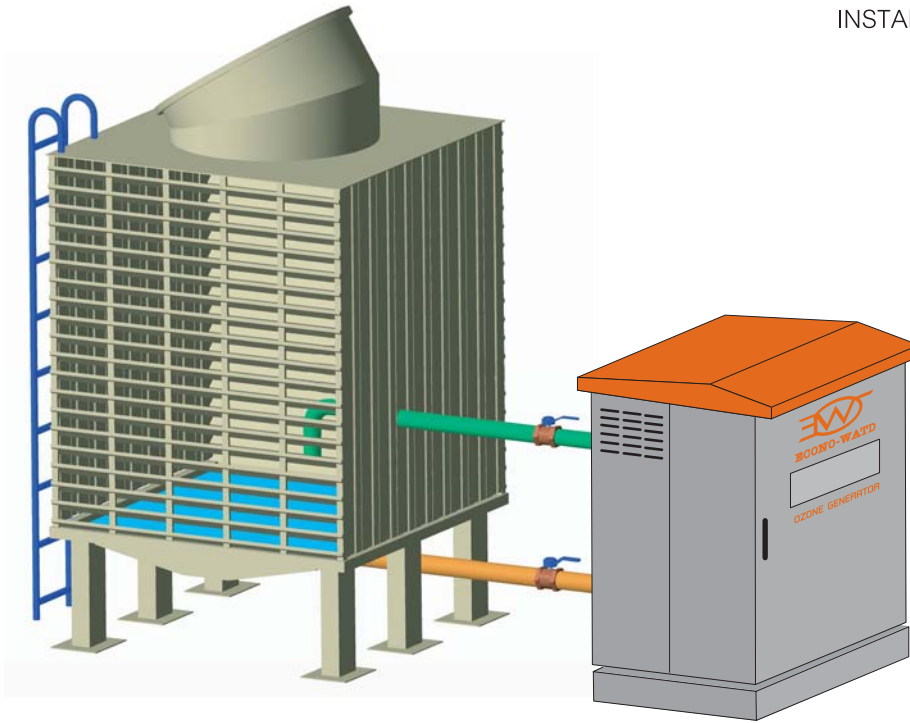
- ➔ Avoiding chemical usage in water of cooling system.
- ➔ Reducing maintenance cost of cooling system due to reduction of scale and microorganisms.
- ➔ Reducing make-up water supplying to cooling tower due to stabilizing water parameter.
- ➔ Kill more than 99% of bacteria in the water which causes of affliction.

SPECIFICATION

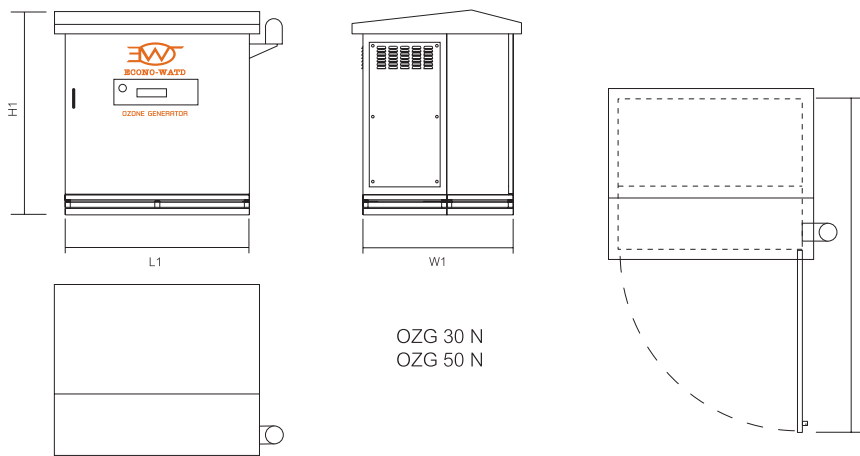
Ozone Dissolve Capacity	up to 2.5 ppm (OZG 30 N) up to 4.2 ppm (OZG 50 N) (at sampling point, 25 °C clean water without chemical)	Control System	MPCU (Maximum Performance Control Unit), PCL with LCD display
Ozone Gas Capacity	30g/hr (OZG 30 N) 50g/hr (OZG 50 N) (at 25 °C)	Monitoring System	GPRS, LCD panel
Internal Oxygen Supply	ATF Oxygen Modules Flow 10 LPM at 90% O ₂ v/v (+3% / -5%) Ta 4 °C to 54 °C (inside operating enclosure) Oxygen Delivery Dewpoint : -73 °C	Protection	Emergency Stop Oxygen Failure Corona Discharge Failure Ozone Leakage Sensor Over Current Protection Phase Loss Protection Door open Protection Water Loss Protection
Cooling System	Water and Air Cooling for Corona Discharge Chamber	Alarm	Wireless Remote Alarm Box Siren (optional) Mobile SMS (optional)
Supply Voltage	380V 3Ø 4 Wire 50/60Hz		
Power Consumption	3.74 kW/5.6 kW (OZG 30 N) 4.18 kW/6.0 kW (OZG 50 N)		
Ozone Mixing Method	Dynamic Mixing up to 70% Efficiency of Mixing (at 25 °C clean water without chemical)		

TECHNICAL DATA AND DIMENSION

INSTALLATION DIAGRAM



DIMENSIONS



TECHNICAL DATA

DIMENSIONS

Model	Option	Product Code Option	Capacity (g/hr)	Rated Voltage (V)	Total Power Consumption	L1 (mm)	W1 (mm)	W2 (mm)	H1 (mm)	Weight (kg.)
OZG 30 N	Standard IP42	OZGSET300G40NPD 00000	30	3 ϕ 4w 50/60Hz	3.74 kW/5.6 kW	1,150	950	2,100	1,300	350
OZG 50 N	Standard IP42	OZGSET500G40NPD 00000	50	3 ϕ 4w 50/60Hz	4.18 kW/6.0 kW	1,150	950	2,100	1,300	350

Note :

1. The product must be installed by skilled persons. All ineffective results will be caused by none professional installation.
2. Systems are comprised with ozone generator, oxygen generator, ozone mixing pump, monitoring and controller.



EL 0025/99